

Patents, Designs, and Trade Marks

SUPPLEMENT

TO THE

NEW ZEALAND GAZETTE

OF

THURSDAY, MAY 6, 1909.

Published by Authority.

WELLINGTON, THURSDAY, MAY 6, 1909.

CONTENTS.

	Page
Complete Specifications and Drawings open to Inspection	1271
International and Intercolonial Arrangements for the Mutual Protection of Patents and Trade Marks	1272
Patent Publications in New Zealand	1272
Books and Documents open to Inspection at Patent Office, Wellington	1272
Books, Documents, &c., open to Inspection at Local Patent Offices, Auckland, Christchurch, and Dunedin	1273
Official Publications	1273
Local Patent Offices	1273
Office for Registration of Copyright	1273
Patent Agent registered	1273
Applications for Letters Patent filed	1274
Complete Specifications filed after Provisionals	1274
Complete Specifications accepted	1275
Provisional Specifications accepted	1278
Letters Patent sealed	1278
Letters Patent on which Fees have been paid	1278
Subsequent Proprietors of Letters Patent registered	1278
Request for Correction of Clerical Error in Application for Letters Patent	1279
Applications for Letters Patent abandoned	1279
Application for Letters Patent void	1279
Applications for Letters Patent lapsed	1279
Letters Patent void	1279
Designs registered	1279
Design expired	1279
Applications for Trade Marks filed	1279
Applications for Registration of Trade Marks	1280
Application for Trade Mark withdrawn	1283
Trade Marks registered	1283
Trade Mark Renewal Fees paid	1283
Trade Marks removed from the Register	1283

Complete Specifications and Drawings open to Inspection at Auckland, Dunedin, and Christchurch.

COPIES of the complete specifications and drawings advertised in the *Gazette* will be sent for public inspection to the

LOCAL PATENT OFFICES
IN THE
SUPREME COURT BUILDINGS

in the following towns on or about the dates mentioned:—

Auckland.

Gazette No. 38, of the 6th May. 12th May to 26th May, inclusive.

Dunedin.

Gazette No. 38, of the 6th May. 1st June to 15th June, inclusive.

Gazette No. 34, of the 22nd April. 19th May to 2nd June, inclusive.

Gazette No. 30, of the 8th April. 7th May to 21st May, inclusive.

Christchurch.

Gazette No. 38, of the 6th May. 19th June to 3rd July, inclusive.

Gazette No. 34, of the 22nd April. 7th June to 21st June, inclusive.

Gazette No. 30, of the 8th April. 26th May to 9th June, inclusive.

Gazette No. 24, of the 25th March. 8th May to 22nd May, inclusive.

[NOTE.—The office can take no responsibility if from any cause the specifications are not so available.]

International and Intercolonial Arrangements for the Mutual Protection of Patents and Trade Marks.

INTERNATIONAL CONVENTION.

THE following countries now belong to the Convention:—

Australia.	Italy.
Belgium.	Japan.
Brazil.	Mexico.
Ceylon.	New Zealand.
Cuba.	Norway.
Denmark and Faroe Islands.	Portugal, with the Azores and
Dominican Republic.	Madeira.
France, with Algeria and	Servia.
Colonies.	Spain.
Germany.	Sweden.
Great Britain.	Switzerland.
Holland, with East Indian	Tunis.
Colonies, Curaçoa, and	United States of America.
Surinam.*	

* Trade marks only.

Separate arrangements have been made between Australia and New Zealand.

Particulars of the Convention and of such arrangements may be seen in the following *Gazettes*:—

Notification of adhesion of New Zealand to the Convention, with text thereof (in English), in the *Gazette* of 26th November, 1891; notification of adherence of New Zealand to the Additional Act of the Convention, with text (in English), of such Additional Act, in Patents Supplement to *Gazette* No. 101, of the 16th November, 1905; Order in Council applying section 103 of the Imperial Act to New Zealand, in *Gazette* No. 27, of the 15th May, 1890; Orders in Council containing arrangements between Australia and New Zealand, in Patent Supplements to the *Gazette* Nos. 22 of the 9th March, 1905, and 38 of the 20th April, 1905.

Patent Publications in New Zealand.

THE following publications relating to Patents for inventions, &c., are open to inspection in the Dominion:—

WELLINGTON.—PATENT OFFICE LIBRARY.

United Kingdom.

The full text of the specifications and complete drawings of inventions patented from the year 1617 up to the 4th February, 1909.

Classified illustrated abridgments of inventions from 1855 to 1906.

Illustrated Official Journal, containing lists of recent applications, abridgments of inventions for which patents have been lately granted, patents void, &c., to March, 1909.

Index of Applicants.

Subject-matter Index.

Commissioner of Patents Journal, &c. (*).

Trade Marks Journal to February, 1909.

Canada.

Patent Office Record (containing illustrated abridgments of inventions, &c.) to November, 1908.

Australia.

The full text of the specifications and complete drawings in respect of applications accepted from the 11th January, 1906, to the 21st July, 1908, inclusive.

The Official Journal of Patents of the Australian Commonwealth (containing lists of applications for letters patent, abridgments of complete specifications accepted, &c.).

The Australian Official Journal of Trade Marks (containing lists of applications for registration of trade marks, &c.).

Specifications, drawings, abridgments, and indexes of Victoria, New South Wales, Queensland, and South Australia^(b).

United States.

The full text of the specifications and drawings for the years 1905 and 1906.

The Official Gazette of the United States Patent Office (containing illustrated abridgments of specifications, &c.) to March, 1909.

Mexico.

The Official Gazette of the Patent and Trade Mark Office.

(a) Discontinued.

(b) In arrears. Not now being printed.

General.

La Propriété Industrielle (the official organ of the International Bureau of the Union for the Protection of Industrial Property).

Patent laws of the world.

Patent and Trade Mark Review.

Text-books and handbooks on patents and trade marks.

AUCKLAND.—PUBLIC LIBRARY.

United Kingdom.

Classified abridgments of inventions from 1855 to 1904.
Illustrated Official Journal from 1897 to date.

Canada.

Patent Office Record (containing illustrated abridgments of inventions, &c.) from 1897 to date.

Australia.

The Official Journal of Patents from 1905 to date.

United States.

The Official Gazette of the United States Patent Office (containing illustrated abridgments of specifications, &c.) from 1885 to 1887 and 1890 to 1895.

CHRISTCHURCH.—PUBLIC LIBRARY.

United Kingdom.

Classified abridgments of inventions from 1855 to 1904.
Illustrated Official Journal from October, 1905, to date.

Canada.

Patent Office Record (containing illustrated abridgments of inventions, &c.) from 1897 to date.

Australia.

The Official Journal of Patents from 1905 to date.

DUNEDIN.—TOWN HALL.

United Kingdom.

Classified abridgments of inventions from 1855 to 1904.
Illustrated Official Journal from October, 1905, to date.

Australia.

The Official Journal of Patents from 1905 to date.

Books and Documents open to Inspection at Patent Office, Wellington.

THE following documents and books are open to public inspection at the Patent Office:—

PATENTS.

(Fee for each search or inspection, not exceeding one hour, 1s.)

1. The files relating to all applications for letters patent in respect of which complete specifications have been accepted.
2. Classified copies of specifications and drawings, with index and key^(a).
3. Register of Applications for Letters Patent.
4. Register of Patents.
5. Register of Subsequent Proprietors of Letters Patent^(b).
6. Index of Patentees^(c).
7. Index of Proprietors of Letters Patent granted prior to 1890^(d).
8. Index of Specifications^(e).

DESIGNS.

(Search fee, 1s. each quarter of an hour.)

1. Register of Designs, with Index of Names of Proprietors.
2. Classified Representations of Designs in respect of which Copyright has expired.
3. Index of Designs.

(a) Key is in card index.

(b) This Register contains only names of subsequent proprietors of letters patent granted prior to 1st January, 1890; since that date they appear in Register of Patents.

(c) Includes all names of applicants, &c., and consists of four volumes to 4th November, 1903, and card index since that date. A separate card index is kept for current quarter.

(d) The names of proprietors of subsequent letters patent appear in the Index of Patentees.

(e) Contains classified abridgments of specifications from 1861, with extracts from drawings from July, 1904.

TRADE MARKS.

(Search fee, 1s. each quarter of an hour.)

1. The files relating to all applications for registration of trade marks.
2. Register of Applications for Registration of Trade Marks.
3. Register of Trade Marks.
4. Index of Applicants for Registration of Trade Marks^(a).
5. Index of Trade Marks.
6. Classified Representations of Trade Marks, with indexes.

MISCELLANEOUS.

Register of Patent Agents.

FORMS AND PUBLICATIONS.

The following forms, &c., may be had on application at the Patent Office, Wellington, or at any of the local Patent Offices named below:—

- Application for letters patent.
- Provisional specification.
- Complete specification and copy thereof.
- Application for registration of design.
- Application for registration of trade mark.
- Applications for extension of time.
- Requests by subsequent proprietor to enter name on Register of Patents and Trade Marks.
- Printed sheets of information as to fees and procedure to obtain letters patent and to register a trade mark^(b).
- Pamphlet containing Act and Regulations (price 1s.).

^(a) Names of applicants for registration and proprietors of trade marks are indexed at the beginning of the Registers up to 31st December, 1889; in separate volume up to 5th September, 1904; and since the latter date in card index.

^(b) May also be obtained at any local Patent Office or money-order office.

Books, Documents, &c., open to Inspection at Local Patent Offices, Auckland, Christchurch, and Dunedin.

BOOKS, documents, &c., open to inspection, and forms, &c., procurable, at the local Patent Offices at Auckland, Christchurch, and Dunedin.

BOOKS, ETC., OPEN TO INSPECTION.

Complete specifications and drawings of inventions. (Note.—One set of the specifications and drawings is sent, on acceptance, to Auckland, Christchurch, and Dunedin in succession, remaining fourteen days at each place, as advertised in the *Gazette*. Search fee, 1s. per hour.)

Classified abridgments of inventions from 1st January to end of 1908. (Search fee, 1s.)

Weekly lists of applications for patents up to and including those filed on Friday may be seen on the following Monday. (Search fee, 1s.)

Name Index—Patents, 1861–1889. (Search fee, 1s.)

Annual Reports, containing alphabetical lists of applicants and subject-matter indexes since 1890.

Patents Supplement to the *New Zealand Gazette*.

Patents, Designs, and Trade Marks Act and Rules.

Acts and Rules of other countries.

Australian Official Journal of Patents.

FORMS, ETC., OBTAINABLE.

The following forms, &c., may be obtained on application:—

- Applications for letters patent.
- Provisional specification.
- Complete specification, and copy thereof.
- Application for registration of design.
- Application for registration of trade mark.
- Applications for extension of time.
- Requests by subsequent proprietor to enter name on Register of Patents and Trade Marks.
- Printed sheets of information as to fees and procedure to obtain letters patent and to register designs and trade marks.
- Act and Regulations. (Price, 1s. 6d.)

NOTE.—The classified abridgments of the specifications and drawings of the United Kingdom may be seen in the Public Library of each of the above three principal towns. Other publications will be placed on file as soon as they are available.

Official Publications.

THE following publications may be obtained from the Government Printer, Wellington:—

Printed specifications to the end of the year 1879. (Some of these are now out of print.)

Annual lists of letters patent and letters of registration applied for, and particulars of applications lapsed, and patents lapsed, from 1880 to 1893 inclusive. (The lists for the last four of these years are contained in the *Annual Reports of the Registrar*.)

Annual reports of the Registrar, containing alphabetical indexes of applicants for letters patent and of subject-matter of inventions patented from 1894 to 1907 inclusive.

The Patents Supplement to *Gazette* (containing notifications, applications for letters patent, abridged descriptions and drawings of inventions, &c.), published fortnightly.

Name Index of Patents, &c., 1861–1890. (Price, 1s.)

Local Patent Offices.

LOCAL Patent Offices for the reception of applications, supply of forms, &c., have been established at the following places:—

- Auckland—Supreme Court. (E. W. Cave, agent.)
- Whangarei—Courthouse. (W. J. Reeve, agent.)
- Thames—Courthouse. (J. Jordan, agent.)
- Waihi—Courthouse. (J. McIndoe, agent.)
- Hamilton—Courthouse. (H. J. Dixon, agent.)
- Gisborne—Courthouse. (G. J. A. Johnstone, agent.)
- New Plymouth—Courthouse. (J. Terry, agent.)
- Napier—Courthouse. (A. Trimble, agent.)
- Wanganui—Courthouse. (C. A. Barton, agent.)
- Taihape—Courthouse. (W. Baker, agent.)
- Palmerston North—Courthouse. (C. J. Hewlett, agent.)
- Masterton—Courthouse. (M. Foley, agent.)
- Nelson—Courthouse. (E. C. Kelling, agent.)
- Blenheim—Courthouse. (F. W. Hart, agent.)
- Westport—Courthouse. (O. E. Bowler, agent.)
- Greymouth—Courthouse. (B. Harper, agent.)
- Hokitika—Courthouse. (J. N. Nalder, agent.)
- Christchurch—Supreme Court. (W. W. Samson, agent.)
- Ashburton—Courthouse. (J. Fitzgerald, agent.)
- Timaru—Courthouse. (T. W. Tayler, agent.)
- Oamaru—Courthouse. (A. A. Mair, agent.)
- Dunedin—Supreme Court. (T. E. Roberts, agent.)
- Clyde—Courthouse. (F. T. D. Jeffery, agent.)
- Gore—Courthouse. (G. H. Lang, agent.)
- Queenstown—Courthouse. (A. J. Thompson, agent.)
- Invercargill—Courthouse. (J. R. Colyer, agent.)

Office for Registration of Copyright.

THE office for the registration of copyright in Fine Arts and Dramatic Works has been transferred to the Patent Office, Magistrate's Court Building, corner of Lambton Quay and Ballance Street, Wellington.

Patent Agent registered.

Patent Office,
Wellington, 5th May, 1909.

IT is hereby notified that

WILLIAM HENRY TUSTIN,

of Raetihi, in the Dominion of New Zealand, Solicitor, has been registered as a Patent Agent.

Applications for Letters Patent filed.

LIST of applications for Letters Patent filed. (Where a complete specification accompanies an application an asterisk is affixed; in all other cases a provisional specification has been lodged. In all cases where the applicant is not the inventor the name of the latter appears in italics after the title. † Denotes an application under the International and Intercolonial Arrangements.)

- No. 25841.—19th April.—E. H. Hunter - Weston, Glen-iti, N.Z.
Water-closet seat.
- No. 25842.—17th April.—W. J. Sames, Auckland, N.Z.
Rotary advertiser.
- No. 25843.—17th April.—D. J. Whelan, Auckland, N.Z.
Vehicle-brake.
- No. 25844.—20th April.—C. Brosnahan, Wellington, N.Z.
Foot-wear.
- No. 25845.—20th April.—B. F. and L. G. Porter, Wellington, N.Z.
Coat-hanger.
- No. 25846.—20th April.—J. M. and M. E. C. Holman, Camborne, Eng.; G. B. Nancarrow, Middlesbrough, Eng.; and C. V. Thomas, Camborne, Eng.
Stamp-mill for crushing ores.* (*J. M. and J. H. Holman.*)
- No. 25847.—20th April.—H. Fisher and J. W. Davis, Wellington, N.Z.
Boat.
- No. 25848.—19th April.—H. J. and E. E. Turner, Wanganui, N.Z.
Automatic stop-pulley.*
- No. 25849.—19th April.—W. C. Hampton, Auckland, N.Z.
Gas-burner attachment.
- No. 25850.—21st April.—W. F. and C. T. Collings, Napier, N.Z.
Soldering-iron and brazier.
- No. 25851.—20th April.—E. Smethurst, Christchurch, N.Z.
Temperature-indicator for baled goods, &c.
- No. 25852.—20th April.—E. Smethurst, Christchurch, N.Z.
Ship's rudder.
- No. 25853.—19th April.—W. J. Love, Dunedin, N.Z.
Bag.*
- No. 25854.—26th June, 1908.† — G. Cowdery, Burwood, N.S.W.
Rail-joint.*
- No. 25855.—21st April.—G. Lewis, Napier, N.Z.
Joining plaster-slabs.*
- No. 25856.—14th August, 1908.† — E. Clark, Northcote, Vic.
Repairing pneumatic tires.*
- No. 25857.—21st April.—O. Coates, Christchurch, N.Z.
Aerial machine.
- No. 25858.—22nd April.—W. H. Boyens and T. Gore, Pahiatua, N.Z.
Hose, &c., coupling.
- No. 25859.—22nd April.—C. J. Bailey, Otawa, N.Z.
Hat-pin-point protector.
- No. 25860.—21st April.—C. C. E. Barnard, Auckland, N.Z.
Flying-machine.
- No. 25861.—22nd April.—R. Waite, Auckland, N.Z.
Gas-generator.
- No. 25862.—22nd April.—J. Arthur, jun., Invercargill, N.Z.
Elevator and conveyor.
- No. 25863.—23rd April.—E. Smethurst, Christchurch, N.Z.
Obtaining samples of wool from bale.
- No. 25864.—26th April.—W. H. Bell, Palmerston North, N.Z.
Gas-flasher.
- No. 25865.—26th April.—C. A. B. P. Hawkins and B. Ogilvie, Napier, N.Z., and C. J. Nairn, Pouterere, N.Z.
Aeroplane.
- No. 25866.—26th April.—G. Scott, Christchurch, N.Z.
Manufacture of confectionery-centres.*
- No. 25867.—26th April.—F. H. Rutland, Seddon, N.Z.
Windmill.
- No. 25868.—27th April.—F. T. Kennedy, New Plymouth, N.Z.
Hanger and holder for window-sash and sliding-door.
- No. 25869.—23rd April.—E. Fitzpatrick, Ngaruawahia, N.Z.
Noxious-weed-root collector.
- No. 25870.—24th April.—J. H. Warren, Gisborne, N.Z.
Lid for sanitary pan, &c.
- No. 25871.—27th April.—J. M. Collins, J. Low, and A. Burges, Palmerston North, N.Z.
Flax-treating machinery.
- No. 25872.—27th April.—J. Hodgkinson, Pendleton, Eng.
Evaporation of liquid from brine, &c.*
- No. 25873.—27th April.—T. C. Durham, New York, U.S.A.
Razor.*
- No. 25874.—27th April.—C. A. Stevens, New York, U.S.A.
Extracting metal from ore, &c.* (*C. G. Collins.*)
- No. 25875.—27th April.—J. M. Walcott, New York, U.S.A.
Razor-blade package.*
- No. 25876.—27th April.—A. Macdonald, Parkside, S. Aust.
Telegraphic transmitter.*
- No. 25877.—24th April.—J. M. Thomson, Stratford, N.Z.
Game apparatus.
- No. 25878.—27th April.—W. Henry and W. Duncan, Lower Hutt, N.Z.
Window-sash hanging.
- No. 25879.—27th April.—J. Betty, Masterton, N.Z.
Curtain-pole lifter.
- No. 25880.—27th April.—T. Firth, Wellington, N.Z.
Window-locking device.*
- No. 25881.—23rd April.—B. A. Fryer, Auckland, N.Z.
Rubber- and leather-sole attachment.
- No. 25882.—28th April.—R. S. Ross and R. J. Redshaw, Shannon, N.Z.
Flax-stripper.
- No. 25883.—29th July, 1908.† — A. J. Bedford, Northcote, Vic., and H. C. L. Rolfe, Melbourne, Vic.
Fencing dropper.*
- No. 25884.—8th May, 1908.† — A. R. Angus, Neutral Bay, N.S.W.
Preventing collisions between trains.*
- No. 25885.—28th April.—G. Gates, San Jose, U.S.A.
Filter.*
- No. 25886.—28th April.—E. L. Oliver, Grass Valley, U.S.A.
Filter.*
- No. 25887.—28th April.—United Shoe Machinery Company, Paterson, U.S.A.
Heel-building machine. (*E. A. Tripp and L. H. Shaw.*)
- No. 25888.—28th April.—S. W. Winslow, Beverly, U.S.A.
Chain-stitch-forming machine. (*C. P. Holmes.*)
- No. 25889.—28th April.—E. L. Pearce, Wellington, N.Z.
Bicycle toe-clip.
- No. 25890.—28th April.—Monotype Machine (Colonial Patents) Syndicate, Limited, London, Eng.
Composing-machine justifying-mechanism.* (*J. S. Bancroft and M. C. Indahl.*)
- No. 25891.—27th April.—O. Coates, Christchurch, N.Z.
Aerial machine.
- No. 25892.—24th April.—W. H. Long, Auckland, N.Z.
Air-compressor and vapouriser.
- No. 25893.—29th April.—R. S. Houghton, Wellington, N.Z.
Tram-rail-cleaning device.
- No. 25894.—27th April.—H. McMurdie, Windsor, Vic.
Boiler-feeding appliance.* (*W. B. D. Pomeroy.*)
- No. 25895.—27th April.—A. C. Baird, Waikino, N.Z.
Oil and gas engine.
- No. 25896.—29th April.—E. Smethurst, Christchurch, N.Z.
Temperature-indicator for baled goods.
- No. 25897.—29th April.—E. Moss, Christchurch, N.Z.
Fire-alarm, &c., annunciator.
- No. 25898.—30th April.—A. G. Beckman, Baltimore, U.S.A.
Fluid-pressure regulator.*

Erratum.—In *Gazette* No. 30, of the 8th April, 1909, under this heading, No. 25874 should read No. 25784.

Complete Specifications filed after Provisionals.

LIST of complete specifications filed after provisional specifications, from the 19th April to the 1st May, 1909, inclusive:—

- No. 24579.—J. Shepherd and A. Cederman, locomotive driving-gear.
- No. 24691.—S. Graham, fibre-manufacture.
- No. 24704.—C. W. Nance, preserving and storing comestibles.
- No. 24719.—J. Arthur, jun., elevator and conveyor.
- No. 24727.—J. M. Taylor and H. Oakley, flushing-cistern attachment. (*F. Wright.*)
- No. 24730.—G. F. Hutchinson, fluid-pressure or suction motor.
- No. 24734.—W. Seifert and W. Campbell, flax-machine.
- No. 24737.—L. R. Sundercombe, flash-signal apparatus.
- No. 24747.—C. Uddstrom, centring-device for circular-saw spindle.
- No. 24749.—G. R. Fellows, gas-producer, &c.
- No. 24816.—R. Bellenger, milk-can.
- No. 24859.—J. M. Collins and J. Low, flax-machine.
- No. 25749.—E. Arnold, house construction and ventilation.

Notice of Acceptance of Complete Specifications.

Patent Office,
Wellington, 5th May, 1909.

COMPLETE specifications relating to the undermentioned applications for Letters Patent have been accepted, and are open to public inspection at this office. Any person may, at any time within two months from the date of this *Gazette*, give me notice in writing of opposition to the grant of any such patent. Such notice must set forth the particular grounds of objection, and be in duplicate. A fee of 10s. is payable thereon.

No. 23932.—24th January, 1908.—JAMES SHIELDS, Post-office Box 38, Milton, Otago, New Zealand, Flax-mill Owner. Improvements in machinery for treating flax.*

Claims.—(1.) In a flax-dressing machine, means for conveying flax from a stripper to a washer, comprising arms attached to discs operated by mutilated gearing whereby one arm is made to overtake another during their rotation, substantially as set forth. (2.) In a flax-dressing machine, means for conveying flax from a stripper to a washer, comprising arms attached to discs operated by mutilated gearing and Geneva stops, substantially as set forth. (3.) In a flax-dressing machine, means for conveying flax from a stripper to a washer, comprising gripping-arms pivoted to discs operated by mutilated gearing, and supporting-arms for lowering the gripping-arms, substantially as set forth. (4.) In a flax-dressing machine, means for conveying flax from a stripper to a washer, comprising a shaft, mutilated toothed wheels fixed to the shaft, a toothed pinion driving the mutilated wheel, Geneva stops controlling the shaft, a sleeve fitting the shaft, a mutilated wheel fixed to the sleeve, a toothed pinion driving the mutilated wheel, Geneva stops controlling the sleeve, a disc fixed to the shaft and carrying a pair of arms, and a disc fixed to the sleeve and carrying an opposing pair of arms, substantially as set forth.

[NOTE.—Here follow nine other claims.]

(Specification, 17s. 6d. ; drawing, 4s.)

No. 23982.—4th February, 1908.—WILLIAM CHALMERS, of Purekireki, Owaka, New Zealand, Farmer. Improved force-feed lubricator.

Claims.—(1.) In lubricating-cups, a combined plug and cover that can be used for forcing a portion of the lubricant into a bearing as needed, substantially as shown on the drawing, and as described and as explained. (2.) A lubricating-cup having a cover so arranged that the said cover is capable of being screwed down to press the said lubricant into a bearing, all substantially as set forth.

(Specification, 2s. 6d. ; drawing, 1s.)

No. 24508.—2nd June, 1908.—JOHN PATCHETT, of Dunbeath Street, Blenheim, New Zealand, Threshing-machine Proprietor. An improvement in self-feeder for threshing-machine.*

Claim.—In combination with a threshing-machine feeder-frame, a shaft fitted on bearings, circular wheels or rings keyed on to the said shaft, crossbars at even distances on circumferences of wheels, teeth or spikes attached to bars or drum, curved slotted plate-cover secured to effectually clear the bars or drum but to allow the teeth to project through curved slotted plate, substantially as set forth.

(Specification, 1s. 6d. ; drawing, 1s.)

No. 24602.—2nd July, 1908.—WILLIAM ALFRED JELLYMAN, of "Miro," Norfolk Road, New Plymouth, New Zealand, Inventor. Apparatus for removing turnips and the like obstructions from the throats of cattle and other live-stock.*

Claims.—(1.) For the purpose indicated, apparatus constructed, arranged, combined, and operating substantially as specified and illustrated in the drawing. (2.) For the purpose indicated, a hollow tube having a terminal adapted to engage with the obstruction in the throat, substantially as specified and illustrated in the drawing.

(Specification, 1s. 9d. ; drawing, 1s.)

No. 24634.—8th July, 1908.—JOHN MORGAN TAYLOR and HENRY OAKLEY, both of Colombo Street, Christchurch, New Zealand, Plumbers and Gasfitters. Improved snow-boards.*

Claims.—(1.) A snow-board comprising metal bars secured to brackets shaped to fit the valley of a roof or between a parapet and a roof, substantially as set forth. (2.) A snow-board comprising metal bars having downward projections, brackets passing through slots in the projections and adapted to fit the valley of a roof or the like, substantially as set forth. (3.) A snow-board comprising sheet-metal bars secured to brackets shaped to fit the valley of a roof or the like, substantially as set forth. (4.) A snow-board comprising sheet-metal bars having downward projections integral with the bars and made of a double thickness of material, brackets passing through slots in the projections, and having legs adapted to rest upon the bottom of the valley of a roof or the like, substantially as set forth. (5.) A snow-board comprising sheet-metal bars of triangular section and having downward projections integral with the bars, brackets passing through slots in the projections, and hoop-iron bands bent over the bars and secured by rivets or bolts between the bars, substantially as set forth. (6.) The combination and arrangement of parts comprising the improved snow-board, substantially as and for the purposes set forth and illustrated in the drawing.

(Specification, 3s. ; drawing, 1s.)

No. 24664.—14th July, 1908.—THOMAS BARNARD, of Bridge Road, Richmond, Victoria, Australia, Bicycle-manufacturer. Improvements in cycle pedal-clips and the like.*

Claims.—(1.) In a pedal-clip, an end-piece as *i* having limbs to be bent as indicated, and an offset or ear as *n*, substantially as set forth. (2.) In a pedal-clip, an end-piece as *j* having limbs to be bent as indicated, and an offset or ear as *o*, substantially as set forth. (3.) A pedal-clip having cover-leathers or the like adjustable as by buckling, and end-pieces as in claim 1 or claim 2, substantially as set forth. (4.) The combination with leathers or the like *b*, *c* which are widened at the sides, of wide substantially U-shaped mild-steel plates having integral offsets or lugs for the purposes indicated, substantially as described.

(Specification, 3s. 6d. ; drawing, 1s.)

No. 25172.—4th November, 1908.—FREDERICK WALTER ROBINSON, of Epsom Road, Mount Roskill, Auckland, New Zealand, Engineer. An attachable drill-socket.

Claim.—The loose attachable socket to join drill to round iron, and connected as shown.

(Specification, 1s. ; drawing, 1s.)

No. 25235.—18th November, 1908.—JAMES CHARLES HANCOCK, of 57 George Street, Perth, Western Australia, Manufacturer, and ARCHIBALD BROWN THOMPSON, of Brookton, Western Australia, Gentleman. Rubber stud and heel-plate for boots and shoes.

Claims.—(1.) A boot or shoe having a conically recessed heel-plate, and a stud having a conical neck fitting the recess, and a spiral groove formed in the conical neck, substantially as set forth. (2.) A stud or button as *a* whose neck as *b* is formed with a short spiral groove as *c* for the easy entry and withdrawal of said stud into and from the heel-plate as *d*, substantially as and for the purposes set forth, and as shown in the drawings. (3.) A stud as *a* with its parts *b* and *c* in operative combination with a heel-plate as *d* and opening *e*, both as above claimed, substantially as and for the purposes set forth, and as shown in the drawings.

(Specification, 2s. 6d. ; drawings, 1s.)

No. 25259.—13th December, 1907.—GERTRUDE EMMA TAYLOR, of Wingfield, Englefield Green, Surrey, England, Married Woman. Improvements in sterilising preservative or antiseptic tablets.

[NOTE.—This is an application under section 106 of the Act, the date given being the official date of the application in Great Britain.]

Claim.—A tablet formed from pure paraformaldehyde, trioxymethylene, or metaformaldehyde, to which is added sufficient animal or vegetable grease to facilitate formation into tablets, substantially as and for the purpose set forth.

(Specification, 2s. 9d.)

No. 25304.—7th December, 1908.—EDWIN THOMAS WOOD, of 30 Dowling Street, Dunedin, New Zealand, Accountant and Tutor. Improved dust, draught, rain, and vermin excluder for bottom of doors.*

Claims.—(1.) In a dust, rain, and vermin excluder in combination with a door, a flap having a hook-shaped upper edge, an opposing hook-shaped piece secured to the door and adapted to engage with the said flap so that the two parts may turn on the said hook-shaped edges in the manner of a hinge, a pin imbedded in the said opposing hook-shaped edge, a groove formed in the hook-shaped upper edge of the flap to engage with the said pin. (2.) The combination and arrangement of parts comprising my improved dust, rain, draught, and vermin excluder, all substantially as and for the purpose set forth, and as described and illustrated in the drawings.

(Specification, 4s.; drawing, 1s.)

No. 25369.—22nd December, 1908.—GEORGE ALFRED BENNETT, of 14 Blythswood Road, Goodmayes, Essex, England, Artist, and JAMES ARNOLD SMITH, of 2 Clarendon Road, Leytonstone, Essex, England, Traveller. A new or improved pneumatic tire.

Claims.—(1.) A pneumatic tire comprising a tube containing sand arranged between the cover and the air-tube, substantially as set forth. (2.) In a pneumatic tire according to the preceding claim, a protecting layer of felted or woven fabric interposed between the cover and the sand-tube, and it may be also between the sand-tube and the air-tube, substantially as set forth. (3.) In a pneumatic tire, the combination with a tire-cover of a sand-tube, an air-tube, and felt or fabric layers interposed between these tubes and between the sand-tube and the cover, substantially as set forth. (4.) A puncture-proof pneumatic tire constructed substantially as described with reference to and shown in the drawings.

(Specification, 4s. 6d.; drawing, 1s.)

No. 25371.—22nd December, 1908.—JOHAN PETER HEMME LUND, of The Waterworks, Rockhampton, Queensland, Australia, Engineer. An improved rudder for controlling the various movements of screw-propelled vessels, and means for operating same.

Extract from Specification.—Briefly stated, my invention consists in an improved construction of folding-rudder and means for operating it so that it is enabled to deflect, retard, or reverse the current of water sent astern by the action of the propeller, whereby in turn the control of the vessel as already described is brought about. This opening, closing, and turning of my improved folding-rudder is performed and controlled by the helmsman or navigator from his usual position on the vessel, and is transmitted to the rudder by suitable mechanism means, either by hand-power, steam, oil, gas, hydraulics, electricity, compressed air, or whichever motive power may be considered most suitable and convenient, according to the size and equipment and requirements of the vessel. Means are also provided whereby the relative position of the blades of the rudder may be indicated to the helmsman or navigator.

[NOTE.—The above extract from the specification is inserted in place of the claims.]

(Specification, 9s. 6d.; drawing, 2s.)

No. 25621.—1st March, 1909.—JOHN MORGAN TAYLOR and HENRY OAKLEY, both of Colombo Street, Christchurch, New Zealand, Plumbers and Gasfitters. Improved silencing-apparatus for flushing-cisterns.

Claims.—(1.) Apparatus of the kind described, comprising an air-chamber, an inverted U-shaped pipe connected to the top of the chamber, a pipe connected at one end to the top of a main siphon and extending nearly to the bottom of the air-chamber, substantially as described. (2.) The combination with a flushing-cistern having the ordinary operating-mechanism (ball-cock and main siphon) of a pipe connected at one end to the top of the siphon and having its other end extending nearly to the bottom of an air-chamber, and an inverted U-shaped pipe connected to the top of the air-chamber, substantially as set forth. (3.) The combination and arrangement of parts comprising the improved silencing-apparatus for flushing-cisterns, substantially as and for the purposes set forth and illustrated in the drawing.

(Specification, 2s. 3d.; drawing, 1s.)

No. 25665.—9th March, 1909.—ALEXANDER PARKER, of Kelburne Parade, Kelburne, Wellington, New Zealand, Engineer; ARTHUR GRENVILLE HUMB, of National Mutual Buildings, Wellington aforesaid, Engineer; JOHN ROUTLEY, of Rawhitiroa House, 105 Main Street, Eastbourne, Wellington aforesaid, Settler; MATTHEW ROUTLEY, of 5 Rawhiti Terrace, Kelburne aforesaid, Builder; ROBERT EDWIN MANLEY, of 95 Kelburne Parade, Kelburne aforesaid, Broker; and HERBERT DOUGLAS VICKERY, of 246 Lambton Quay, Wellington aforesaid, Accountant. An improved machine for printing and making tag labels.

Extract from Specification.—A ribbon of paper or the like, suitable for labels, is fed from a roller over a printing-roller and thence between upper and lower dies; and ribbons of adhesive paper or the like, suitable for making reinforcing-washers, are fed between the dies and above and below the said label-ribbon. The punches of the dies are perforated axially, and the punch of the paper die is fitted with a smaller punch for piercing the reinforcing-washers and the label with a hole for receiving a length of twine. The travel of the ribbons is arrested while reinforcing, punching, and cutting operations are proceeding. From the dies the label-ribbon passes to a second printing-roller for the purpose of receiving printing-matter on the side opposite to the printed matter impressed by the first roller. Finally, the labels are cut into shape and the label-ribbon punched so that each label is attached to the next succeeding and preceding labels by small tabs only, which are sufficient to connect the labels together but can be readily torn through. The resulting product is a ribbon of labels properly reinforced, perforated, and printed on both sides, and this ribbon is wound upon a roller ready for use.

[NOTE.—The above extract from the specification is inserted in place of the claims.]

(Specification, 11s.; drawing, 4s.)

No. 25685.—12th March, 1909.—WILLIAM JAMES JENKIN, of Christchurch, New Zealand, Commercial Traveller (nominee of George David Watson, Engineer, and Albert Peter Fergusson Watson, Engineer, both of Christchurch, New Zealand). An improved construction of gate-hinge.

Claims.—(1.) In a self-closing gate-hinge, the combination with a helically twisted hinge-pin arranged parallel with and extending beyond the vertical end member of the gate to which it is securely fastened, of eye-bolts attached to the gate-post, one of such bolts having its eye or bore rectangular in shape to coincide with the cross-section of the hinge-pin, substantially as described and for the purpose specified. (2.) The improved construction of gate-hinge, substantially as described and explained, and as illustrated in the drawings.

(Specification, 4s.; drawing, 1s.)

No. 25698.—18th March, 1909.—FORN ELETTRICI STASSANO SOCIETA ANONIMA, of Via Arsenale 17, Turin, Italy (assignee of Ernesto Stassano, Major of Artillery, of 17 Via Bogino, Turin, Italy). An improved electric furnace.

Extract from Specification.—The present invention has for its object an electric furnace, the chamber of which may be subjected to a conical motion around a vertical axis, and to an oscillation of little amplitude around its own axis, in order to very actively stir the material to be melted, which is not put in contact with the electrodes. The furnace-chamber, besides, is closed so that the voltaic arcs, which are produced in same, present the advantages of the arcs produced in a closed pot for what regards the diffusion of the flame. In a furnace according to this invention, it is also possible to feed the current to the electrodes and the water to the hydraulic cylinders which control the electrodes without sliding-contacts, and by means of flexible or ball-joint connections.

[NOTE.—The above extract from the specification is inserted in place of the claims.]

(Specification, 6s.; drawing, 2s.)

No. 25699.—15th March, 1909.—ALEXANDER JOHN PETERSEN, of Christchurch, New Zealand, Painter. An improved cover for frying-pans or like receptacles.

Claims.—(1.) The combination with a frying-pan or like receptacle of a cover comprising a pair of semicircular plates adapted to enclose the whole area of the pan, a hinge-plate upon which the semicircular plates are hinged so as to allow of their being turned outwardly in a horizontal plane, and a wire clip provided upon such hinge-plate adapted to grip

upon the handle of the pan, substantially as and for the purpose set forth. (2.) The improved cover for frying-pans or like receptacles, substantially as described and explained, and as illustrated in the drawings.

(Specification, 2s. 9d. ; drawing, 1s.)

No. 25705.—18th March, 1909.—MORTIMER LAWRENCE SWEENEY, of 505 West 140th Street, New York, United States of America, Gentleman; and CHARLES HENRY TREAT, of 54 West 40th Street, New York aforesaid, Gentleman. An improved cable code.

Claims.—(1.) A code which consists of a series of three-letter words each of which has a predetermined meaning, said three-letter words being adapted to be combined into a nine-letter pronounceable word and transmitted as a single word. (2.) A code which consists of a series of three-letter words each of which has a predetermined meaning, said three-letter words being adapted to be combined into a nine-letter pronounceable word and transmitted as a single word, and a series of single-letter code-symbols which may be added to a word formed by the combination of the three-letter words. (3.) A code which consists of a plurality of tables, each table comprising a series of three-letter words each of which has a predetermined meaning, said three-letter words being adapted to be combined in a nine-letter pronounceable word and transmitted as a single word, and indicators adapted to be used with said three-letter words to indicate a particular table. (4.) A code which consists of a plurality of two-, three-, and four-letter words, each of which has a predetermined meaning, said words being adapted to be combined into a pronounceable word and transmitted as a single word, and indicators adapted to be used with said two-, three-, and four-letter words to indicate the division of the entire word into its proper syllables.

(Specification, 6s. ; drawing, 2s.)

No. 25713.—19th March, 1909.—SIDNEY BYRON ORR, of Sydney, New South Wales, Australia, Engineer. An improved composition for making butter-coolers and the like.

Extract from Specification.—According to this invention a porous composition comprising plaster-of-paris, borax, and alum is made into butter-coolers and the like. These ingredients are mixed together and water added until the mixture is sufficiently fluid to be placed in a mould. A convenient mould for my purpose is constructed in two parts—an outer part, and an inner part of less dimensions. The mixture is placed in the outer mould, and the smaller mould is then placed within the outer mould and kept in position by weights, clamps, or the like until the ingredients have set.

[NOTE.—The above extract from the specification is inserted in place of the claims.]

(Specification, 2s. 9d. ; drawing, 1s.)

No. 25722.—20th March, 1909.—CHARLES BARNARD ASKEW, of Chicago, Illinois, United States of America. Dredge.

Extract from Specification.—Among the features of my invention are the provision of means for automatically operating the relief-valve to admit water to the suction-pipe above the normal suction-mouth at any time that the suction-pipe becomes clogged, or when the suction-pipe meets with an obstruction to its progress, or at any time that the direction of movement of the suction-pipe is reversed, or at all such times; likewise the provision of automatic means whereby the contact of the suction-mouth with any serious obstruction causes a reversal of the direction of movement of said suction-mouth; and, further, the provision of means whereby the traverse of the suction-pipe is recorded.

[NOTE.—The above extract from the specification is inserted in place of the claims.]

(Specification, 10s. 6d. ; drawings, 3s.)

No. 25760.—31st March, 1909.—ROBERT WILLIAM RALPH, of 163 Rosebery Avenue, Manor Park, London, England, Electrical and Mechanical Engineer. Improved means for displaying pictures, advertisements, and other notices or announcements.

Extract from Specification.—Providing an arrangement whereby the rollers are rotated to wind up their blinds by frictional contact with tracks as the rollers are caused to travel along the front of the apparatus.

[NOTE.—The above extract from the specification is inserted in place of the claims.]

(Specification, 10s. ; drawing, 2s.)

No. 25762.—31st March, 1909.—NORMAN TAYLOR HARRINGTON, of Lansing, Michigan, United States of America, Mechanical Engineer. Improvements in explosion-engines.

Claims.—(1.) The method of operating explosion-engines which consists in introducing into the explosion-chamber a cold mixture of air, atomized liquid fuel, and water, the fuel being relatively low in volatility, and in maintaining the walls of the explosion chamber at a relatively high temperature. (2.) The means for forming the mixture of air and atomized liquid comprising a suction air conduit, liquid jets discharging therein, and a foraminous screen across the path of the commingled air and liquid. (3.) The means for automatically maintaining the liquid supplying the jet, comprising a reservoir having separate chambers therein, on having the jet supply conduit and an overflow connection and the other a suction-operated liquid-supply conduit, and a check-valve for cutting off communication between said chambers during the suction. (4.) The unjacketed head in which the explosion-chamber is formed, and which is maintained at a relatively high temperature during the introduction and compression of the explosive charge. (5.) The arrangement of the igniter out of the direct path of the incoming explosive mixture. (6.) The arrangement of a plurality of reservoirs for different liquids around the air-induction conduit, with discharge-jets from said reservoirs into said conduit controlled by individual valves.

(Specification, 10s. ; drawing, 3s.)

No. 25763.—31st March, 1909.—JAMES BENJAMIN SEAGER, of Chestnut Street, Lansing, Michigan, United States of America, Mechanical Engineer. Improvements in carburetters.

Claims.—(1.) A carburetter of the suction type, and means for automatically maintaining the level of the liquid supplying the jet in the carburetter operated solely by the suction for the carburetter. (2.) The construction as above, having a reservoir and an overflow connection therefor for maintaining a constant level of liquid therein, and for discharging the surplus liquid. (3.) The construction as above, having check-valves controlling the supply and overflow. (4.) The construction as above, provided with a tank at a lower level from which the liquid is elevated and to which the overflow returns. (5.) The means for producing a differential suction effect in the reservoir and at the liquid-discharge nozzle in the carburetter, whereby liquid is simultaneously supplied to and discharged from the reservoir.

(Specification, 4s. 3d. ; drawing, 1s.)

No. 25781.—31st March, 1909.—NIELS SCHIERN FRIDERICHSEN, of Vesterfaelledvej No. 44, Copenhagen, Denmark, Mechanical Engineer. Machine for casting lead seals and the like.

Claims.—(1.) Machine for casting lead seals and the like, characterized by a rotatable disc placed between two stationary discs and containing moulds with cores, which disc receives during its rotation the molten lead coming from a gas-heated furnace, cuts off the supply of the same, and carries the seals to a knock-out device ejecting the seals from the moulds. (2.) Constructional form of the machine in accordance with claim 1, characterized thereby, that in the stationary disc 7 placed below or above the rotatable disc 8 an eccentric or partially eccentric channel 13 is cut, whereby the rotatable disc is provided with a series of moulds 22, each having a core 14 placed in an adjacent bearing, each core engaging with a pin 15 in the channel 13, so that the core will be brought into the mould and out again, when the supply of lead is cut off, thus permitting the finished seal after being cooled down to be ejected by teeth or prongs 21 on a wheel 20 driven from the main shaft of the machine. (3.) Modified constructional form of the knock-out device in accordance with claim 2, consisting of a rod displaceable upwards and downwards and driven by the main shaft.

(Specification, 4s. ; drawing, 3s.)

No. 25782.—31st March, 1909.—GEORGE ROBERTSON HISLOP, of Greenhill House, Paisley, Scotland, Gas Engineer. Improvements in domestic fires, ranges, and the like.

Claims.—(1.) In a room-fire, grate, kitchen-range, and the like, the combination with the fire-chamber of a curved hollow partition in said chamber, a reverberating-chamber beyond the partition, and a casing located above said reverberating-chamber. (2.) In a room-fire, grate, kitchen-range,

and the like, the combination with the fire-chamber of a curved hollow partition in said chamber, a reverberating-chamber beyond the partition, a projecting casing located above said reverberating-chamber, and water-heating devices fitted in said casing. (3.) In a room-fire, grate, kitchen-range, and the like, the combination with the fire-chamber of a curved hollow partition in said chamber, means for admitting air to said hollow partition, a reverberating-chamber beyond the partition, a projecting casing located above said reverberating-chamber, and water-heating devices fitted in said casing.

[NOTE.—Here follow seven other claims.]

(Specification, 15s. 6d.; drawing, 5s.)

An asterisk (*) denotes the complete specification of an invention for which a provisional specification has been already lodged.

NOTE.—The cost of copying the specification and drawing has been inserted after the notice of each application. An order for a copy or copies should be accompanied by a post-office order or postal note for the cost of copying.

The date of acceptance of each application is given after the number.

Extracts from the drawings accompanying the foregoing complete specifications appear at the end of this *Gazette*.

J. C. LEWIS,
Registrar.

Provisional Specifications accepted.

Patent Office,
Wellington, 5th May, 1909.

APPLICATIONS for Letters Patent, with provisional specifications, have been accepted as under:—

- No. 25675.—A. Costello, line for surf, &c., fishing.
- No. 25704.—G. C. Nicholson, soap-holder.
- No. 25719.—M. S. Collier, fluid-measuring funnel.
- No. 25742.—T. J. Orr, issuing trade coupons.
- No. 25750.—A. H. J. Parker, window.
- No. 25757.—T. F. Brown, chair.
- No. 25768.—L. F. Watkins, wringer.
- No. 25769.—A. H. Wright, advertising-scheme.
- No. 25784.—L. Healey, vehicle-lifting jack.
- No. 25786.—M. Henderson, lifeboat.
- No. 25789.—G. H. Buckeridge, sanitary pillow-slip.
- No. 25791.—T. W. Edlin, bicycle-brake.
- No. 25797.—J. O'Sullivan, military accoutrements.
- No. 25805.—A. D. Stubbs, making pip-holes in cooking-utensil.
- No. 25809.—H. Fisher, ventilating-device.
- No. 25811.—C. Loomes, ammunition-carrier.
- No. 25818.—C. Suttie and M. H. Wynyard, flax-dressing machinery.
- No. 25844.—C. Brosnahan, footwear.
- No. 25861.—R. Waite, gas-generator.
- No. 25770.—A. Storrie and Alex. Storrie, Limited, seeder for agricultural implement.
- No. 25775.—T. C. Hement, ventilating-cowl.
- No. 25779.—W. Hoyland, shop-front.
- No. 25780.—J. Hanna, cleaning and separating seeds.
- No. 25822.—W. P. S. MaGregor, wire-strainer.
- No. 25831.—Alcock and Co. Proprietary, Limited, drying timber. (A. U. Alcock.)
- No. 25834.—A. A. W. Cameron, milk-can cover.
- No. 25837.—P. Bitossi, blotting-pad composition.
- No. 25841.—R. H. Hunter-Weston, water-closet seat.
- No. 25845.—B. F. and L. G. Porter, coat-hanger.
- No. 25847.—H. Fisher and J. W. Davis, emergency boat.

[NOTE.—Provisional specifications cannot be inspected, or their contents made known by this office in any way, until the complete specifications in connection therewith have been accepted.]

Letters Patent sealed.

LIST of Letters Patent sealed from the 15th April to the 3rd May, 1909, inclusive:—

- No. 23722.—J. Dixon and J. C. F. Lawrence, washing drinking-glasses.
- No. 23872.—A. F. Hadecke, threshing-machine, &c.
- No. 23923.—J. Anderson, R. H. Free, and W. H. Hampton, boarding-cramp.
- No. 24402.—C. W. Graham, wire-coiler.
- No. 25117.—National Cash Register Company, cash-register. (E. S. Church.)
- No. 25128.—A. J. Arbuckle and A. Osborne, rotary filtering-apparatus.
- No. 25132.—J. D. Jackson, J. T. and C. H. Metters, gas-stove.
- No. 25144.—D. S. Murray, grip for stitching wool-bales. (R. Rogerson.)

No. 25173.—I. H. Cooper and A. H. White, elevator and conveyor.

No. 25178.—E. Phillips, box-blank-making machine. (National Wire Bound Box Company—R. G. Inwood and C. C. Chapman.)

No. 25180.—A. J. Arbuckle and A. Osborne, filtering-apparatus.

No. 25197.—F. Lamplough, L. F. M. de Peyrecave, and Thomas Evans and Son (Poplar), Limited, rotary motor and pump.

No. 25253.—J. S. Ferguson, container.

No. 25264.—F. Musgrove, amusement apparatus. (W. Taylor.)

No. 25290.—G. B. Bowles, brake apparatus.

No. 25309.—R. Raby, tap.

No. 25310.—W. H. Blackham, ejector-governor.

No. 25311.—G. Lunt, bread-manufacture.

No. 25337.—D. and G. Gilberd, friction-clutch.

No. 25345.—W. L. Imlay, extracting precious metals from ores.

No. 25380.—R. F. Lean, internal-combustion engine.

No. 25382.—S. Ewing, generating fire-extinguishing gases.

Letters Patent on which Fees have been paid.

[NOTE.—The dates are those of the payments.]

SECOND-TERM FEES.

- NO. 19020.—The British Westinghouse Electric and Manufacturing Company, Limited, supplying electric current to vehicles. (J. T. Hunter—B. J. Jones.) 3rd May, 1909.
- No. 19377.—H. M. Douglas, loose-leaf account-book. 28th April, 1909.
- No. 19400.—J. C. Dallas, handle-fastener. 27th April, 1909.
- No. 19403.—R. Dunne, mitre-joint cramp. 24th April, 1909.
- No. 19410.—E. B. Toomath, treatment of flax, &c. 30th April, 1909.
- No. 19413.—A. De Dion and G. Bouton, plate-clutch. 27th April, 1909.
- No. 19422.—A. S. Patterson, centrifugal liquid-separator. (Massey-Harris Company, Limited—W. W. Marsh and C. H. Hackett. 26th April, 1909.)
- No. 19433.—W. B. Devereux, agitating-device. 28th April, 1909.
- No. 19527.—J. G. Turton, cultivator and seeder. (Massey-Harris Company, Limited—L. M. Jones and A. Johnston.) 26th April, 1909.
- No. 19560.—H. V. Blake, hydraulic ram. 21st April, 1909.
- Nos. 19633 and 19634.—H. L. Sulman, H. F. Kirkpatrick-Picard, and J. Ballot, ore-concentrator. 21st April, 1909.
- No. 19761.—W. Schmidt, packing-ring device. 27th April, 1909.
- No. 19767.—W. Schmidt, locomotive tube boiler. 27th April, 1909.
- No. 19768.—W. Schmidt, superheater for marine, &c., boiler. 27th April, 1909.
- No. 19829.—W. Schmidt, superheater. 27th April, 1909.
- No. 20253.—W. E. Martin, side-delivery rake. 28th April, 1909.

THIRD-TERM FEES.

- No. 14801.—Andrews and Beaven, Limited, chaff-utter bag-grip. (W. Andrews.) 28th April, 1909.
- No. 14950.—F. Lobnitz, rock-cutting apparatus. 21st April, 1909.

Subsequent Proprietors of Letters Patent registered.

[NOTE.—The name of the former proprietor is given in brackets; the date is that of registration.]

NO. 21075.—Ross and Glendining, Limited, a company duly incorporated under the provisions of "The Companies Act, 1882," carrying on business at High Street, Dunedin, and elsewhere, as manufacturers and warehousemen. Boot-upper. (W. Pilgrim, A. Liddell, and W. Dimmiok.) 29th April, 1909.

No. 24663.—The Kempshall Tire Company of Europe, Limited, of 1 Trafalgar Buildings, Northumberland Avenue, in the County of London, England. Tire. (E. Kempshall.) 28th April, 1909.

No. 23455.—The "Z" Electric Lamp Manufacturing Company, Limited, of Orient House, New Broad Street, London, E.C., England. Electric-lamp filaments. ("Z" Electric Lamp Syndicate, Limited—H. Zerning.) 14th April, 1909.

No. 23640.—The "Z" Electric Lamp Manufacturing Company, Limited, of Orient House, New Broad Street, London, E.C., England. Electric-lamp filaments. (J. E. Park—"Z" Electric Lamp Syndicate, Limited—H. Zerning.) 14th April, 1909.

Request for Correction of Clerical Error in Application for Letters Patent.

NO. 25229.—J. T. Hunter, typographical composing-machine. (Linotype and Machinery, Limited—H. Pearce and J. E. Billington.) (Advertised in Supplement to *New Zealand Gazette* No. 4, of the 14th January, 1909.)
To strike out the word "of" in claim 4, line 27, of page 14 of specification.

Applications for Letters Patent abandoned.

LIST of applications, with which provisional specifications only have been filed, abandoned (*i.e.*, complete specifications not lodged) from the 20th April to the 3rd May, 1909, inclusive:—

- No. 24548.—E. T. Harrison, horse-bridle.
- No. 24550.—J. Bruton, metallic disc clutch-lubricant for motor-cars.
- No. 24551.—F. J. Torr, wire-fence spreader.
- No. 24554.—C. F. Bollinger, puncture-closing compound.
- No. 24562.—A. J. Bedford, gas-lamp lighter and extinguisher.
- No. 24566.—A. J. Park, mitre-box.
- No. 24572.—T. I. Yourelle and J. Bellingham, fireproof construction.
- No. 24576.—E. J. Walsh, semaphore-signal.
- No. 24577.—E. Aiken, milking-machine.
- No. 24581.—J. Grice, bicycle-pump lock.
- No. 24582.—R. A. H. Lazarus, candle-holder. (A. E. Lazarus.)
- No. 24585.—W. Quin, trading-coupon.
- No. 24593.—J. Grice, cycle-lock.
- No. 24594.—E. C. Austin, handle for tools.
- No. 24598.—W. N. Smith, butter-cutter.
- No. 24603.—J. D. Kelly, W. Andrews, and T. Taylor, delivering liquors from bottles, &c.
- No. 24607.—A. J. Park, cement-burning apparatus.
- No. 24609.—H. Morgan, double-acting pump.
- No. 24617.—W. N. Eady, grate.
- No. 24618.—N. M. McCorkindale, plough.
- No. 24621.—W. J. Roebuck, grip bracket for platforms, &c.

Application for Letters Patent void.

APPPLICATIONS for Letters Patent, with which complete specifications have been lodged, void owing to non-acceptance of such complete specifications, from the 19th April to the 3rd May, 1909, inclusive:—

- No. 23929.—B. W. Benn, milking-machine.
- No. 23941.—J. Stevens, harness.
- No. 23957.—I. R. Jensen, manufacture of artificial marble, &c.

Applications for Letters Patent lapsed.

APPPLICATIONS for Letters Patent lapsed, owing to Letters Patent not being sealed, from the 19th April to the 3rd May, 1909, inclusive:—

- No. 23633.—H. A. Cornes, razor-strop attachment to braces.
- No. 23650.—J. A. Brown, tap-handle.
- No. 23654.—H. C. Becker, extracting grease, &c., from sheep-lugs, &c.
- No. 23663.—J. E. Watts, boot-last.
- No. 23672.—A. Blair, animal-cover fastening.

Erratum.—In *Gazette* No. 30, of the 8th April, 1909, "No. 23520. R. Millis, fibre-preparation" was inadvertently advertised as "lapsed."

Letters Patent void.

LIST of Letters Patent void through non-payment of renewal fees, and through expiry of term of fourteen years, from the 19th April to the 3rd May, 1909, inclusive:—

THROUGH NON-PAYMENT OF SECOND-TERM FEES.

- No. 18672.—M. Belk, meat-brand.
- No. 18932.—The British Westinghouse Electric and Manufacturing Company, Limited, electrical distribution. (J. P. Campbell—P. M. Lincoln.)
- No. 18984.—E. R. Godward, drawing off water from tanks.
- No. 18987.—W. Brady, rock-drill.
- No. 18989.—E. C. E. Mills, W. C. Kellow, and R. M. Carroll, pipe-wrench and spanner.

No. 18992.—W. C. Forbes, distance course-recorder for ships.

- No. 18998.—J. E. Bloom, oil-preparation.
- No. 18999.—H. Butters, securing fencing-wire to standards.
- No. 19000.—A. Hopwood, means for use in keeping accounts.
- No. 19003.—H. P. Saunderson, self-propelling motor.
- No. 19006.—G. F. Bryant, racing, &c., sulky.
- No. 19007.—W. E. Spencer and J. Sanderson, window-blind retainer.
- No. 19011.—R. Harvey, discharging effluent from filter-bed.
- No. 19012.—A. Parker, voting-machine.
- No. 19015.—F. H. Cooper, trolley-pole controller.
- No. 19022.—Dixie Match Company, match-box-filling machine. (W. H. Parker.)
- No. 19023.—G. S. Mayhew, compo-board.
- No. 19024.—B. Singer, dust-absorbing, &c., composition.
- No. 19028.—E. Norton, stopper or capsule.
- No. 19030.—J. H. McFarlane, side-lever pedal-gear for cycles.
- No. 19031.—R. Wales, mitre-cutting apparatus.
- No. 20308.—E. L. White, pictorial post-card, &c.
- No. 20594.—B. T. Hamilton and L. Stroud, locking-device.

THROUGH NON-PAYMENT OF THIRD-TERM FEES.

- No. 14473.—W. Riddell, butter-printer.
- No. 14484.—J. F. Ross, river-bank protection.
- No. 14495.—J. Macalister, seed-sower.

THROUGH EXPIRY OF TERM.

- No. 7568.—C. H. Palmer, J. W. Denmead, and J. A. Baughman, match-box-filling machine.
- No. 7569.—R. B. Gilchrist, cork-extractor.

Designs registered.

DESIGNS have been registered in the following names on the dates mentioned:—

- No. 476.—Joseph Ralph Reuner, of Ingestre Street, Wellington, New Zealand, Cabinetmaker. Class 3.
- Nos. 477, 8.—Auckland Girls' Grammar School, Auckland, New Zealand. Class 13.

Design expired.

THE copyright in the following design has expired:—

- No. 205.—H. E. Shacklock, Limited, of Princes Street, Dunedin, New Zealand. (Verandah-post.)

Applications for Trade Marks filed.

LIST of applications for registration of Trade Marks filed from the 19th April to the 3rd May, 1909, inclusive:—

- No. 7955.—20th April.—British Drug Houses, Limited, London, Eng. Class 3.
- No. 7956.—21st April.—W. C. Callaghan and F. Prior, Wellington, N.Z. Class 42.
- No. 7957.—21st April.—Dennison, Limited, Sydney, N.S.W. Class 48.
- No. 7958.—21st April.—W. Booth, Melbourne, Vic. Class 1.
- No. 7959.—22nd April.—Scoltock and O'Gorman, Westport, N.Z. Class 42.
- No. 7960.—24th April.—R. Arthur, trading as "Arthur and Dormer," Auckland, N.Z. Class 6.
- No. 7961.—24th April.—Nugget Polish Company, Limited, London, Eng. Class 37.
- No. 7962.—24th April.—Nugget Polish Company, Limited, London, Eng. Class 50.
- No. 7963.—26th April.—J. A. Boyd, G. Robertson, and J. Horne, Petone, N.Z. Class 50.
- No. 7964.—27th April.—Faire Bros. and Co., Limited, Leicester, Eng. Class 38.
- No. 7965.—27th April.—J. Wedgwood and Sons, Limited, Stoke-on-Trent, Eng. Class 16.
- No. 7966.—27th April.—Sandell-Gray Figure Trainer, Limited, London, Eng. Class 11.
- No. 7967.—28th April.—Gunn and Co., Dunedin, N.Z. Class 42.
- No. 7968.—28th April.—J. Baillie, Carterton, N.Z. Class 3.
- No. 7969.—29th April.—T. H. Garland and Son, Auckland, N.Z. Class 42.
- No. 7970.—3rd May.—Gollin and Co. Proprietary, Limited, Wellington, N.Z. Class 38.

Applications for Registration of Trade Marks.

Patent Office,
Wellington, 5th May, 1909.

APPLICATIONS for registration of the following Trade Marks have been received. Notice of opposition to the registration of any of these applications may be lodged at this office within two months of the date of this Gazette. Such notice must be in duplicate, and accompanied by a fee of £1.

No. of application: 7267.
Date: 9th April, 1908.

TRADE MARK.

The Manhattan

The essential particular of this trade mark is the word "Manhattan"; and any right to the exclusive use of the added matter is disclaimed.

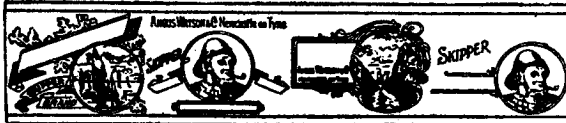
NAME.

G. A. COLES AND Co., LIMITED, of Exmouth Street, Eden Terrace, Auckland, in the Dominion of New Zealand, Boot-manufacturers.

No. of class: 38.
Description of goods: Boots, shoes, and slippers.

No. of application: 7612.
Date: 15th October, 1908.

TRADE MARK.



The essential particulars of this trade mark are the word "Skipper," the combination of devices, and the distinctive label; and any right to the exclusive use of the word "Brand" is disclaimed.

NAME.

ANGUS WATSON AND Co., of Ellison Place, Newcastle-on-Tyne, England, Canned-good Specialists.

No. of class: 42.
Description of goods: All goods included in Class 42.

[NOTE.—Class 42 is for "Substances used as food or as ingredients in food."]

No. of application: 7756.
Date: 22nd December, 1908.

TRADE MARK.

The word
"FLEET."

NAME.

COMPONENTS, LIMITED, of Componentsville, Dale Road, Bournbrook, near Birmingham, England, Manufacturers.

No. of class: 22.
Description of goods: Cycles.

No. of application: 7838.

Date: 17th February, 1909.

TRADE MARK.



The essential particulars of this trade mark are the distinctive design, the representation of a cock and a nail, and the word "Cup"; and applicants disclaim any right to the exclusive use of the added matter, except the name "Davenport's."

NAME.

JANE STANFORD, trading as "H. Davenport," of 216 Tinkori Road, Wellington, in the Dominion of New Zealand.

No. of class: 13.
Description of goods: Leaded-headed nails.

No. of application: 7894.
Date: 18th March, 1909.

TRADE MARK.



NAME.

FIELD AND Co., FRUIT MERCHANTS, LIMITED, of 10 Monument Street, London, England, Importers and Exporters.

No. of class: 42.
Description of goods: Preserved fish.

No. of application : 7907.

Date : 23rd March, 1909.

TRADE MARK.

The word

“NATIONAL.”

NAME.

NEEDHAM, NIVEN, AND Co., LIMITED, of Christchurch, in the Dominion of New Zealand, Engineers' Merchants.

No. of class : 25.

Description of goods : Machine belting of cotton canvas and balata.

No. of application : 7932.

Date : 5th April, 1909.

TRADE MARK.

The word

“NATIONAL.”

NAME.

NEEDHAM, NIVEN, AND Co., LIMITED, of Christchurch, in the Dominion of New Zealand, Engineers' Merchants.

No. of class : 50.

Description of goods : Engine-packing of all kinds, and hose of all kinds.

No. of application : 7946.

Date : 15th April, 1909.

TRADE MARK.



The essential particulars of this trade mark are a flower representing a dahlia and the word “Dahlia” enclosed in a circle; and any right to the exclusive use of the added matter is disclaimed.

NAME.

ELI ANDREW DAHL, of 109 Taranaki Street, Wellington, in the Dominion of New Zealand, trading as “Wellington Oilskin Factory.”

No. of class : 38.

Description of goods : Oilskin coats, oilskin hats, oilskin pants, oilskin leggings, and oilskin clothing generally.

No. of application : 7947.

Date : 16th April, 1909.

TRADE MARK.

The word

“SHINEUM.”

NAME.

T. H. GARLAND AND SON, of Auckland, in the Dominion of New Zealand, Manufacturers.

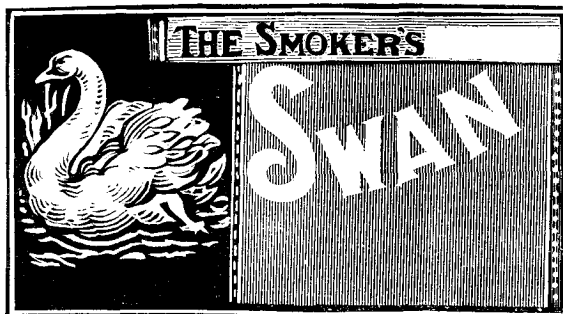
No. of class : 50.

Description of goods : Polishes for footwear.

No. of application : 7948.

Date : 16th April, 1909.

TRADE MARK.



The essential particular of this trade mark is the distinctive label.

NAME.

BRYANT AND MAY, LIMITED, of Fairfield Works, Bow, London, England, Match-manufacturers.

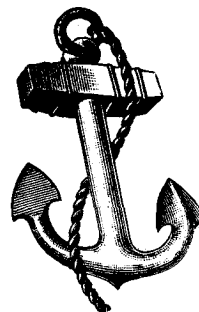
No. of class : 47.

Description of goods : Matches, vestas, night-lights, lucifers, tapers, and fusees.

No. of application : 7949.

Date : 16th April, 1909.

TRADE MARK.



NAME.

MARTIN HALL AND Co., LIMITED, of Shrewsbury Works, Broad Street Park, Sheffield, England, Silversmiths and Electro-plate Manufacturers.

No. of class : 12.

Description of goods : General cutlery, including knives, forks, scissors, &c.

No. of application : 7950.

Date : 16th April, 1909.

TRADE MARK.

(The mark as shown in preceding notice, No. 7949.)

NAME.

MARTIN HALL AND Co., LIMITED, of Shrewsbury Works, Broad Street Park, Sheffield, England, Silversmiths and Electro-plate Manufacturers.

No. of class : 14.

Description of goods : Goods of precious metals, including aluminium, nickel, britannia-metal, &c., imitation of such goods, such as plate, clock-cases, Sheffield and other plated goods.

No. of application : 7951.

Date : 19th April, 1909.

TRADE MARK.

BOND OF ENGLAND

NAME.

WIGGINS, TRAPE, AND Co., LIMITED, of 10 Aldgate, London, England, Paper-makers and Wholesale and Export Stationers.

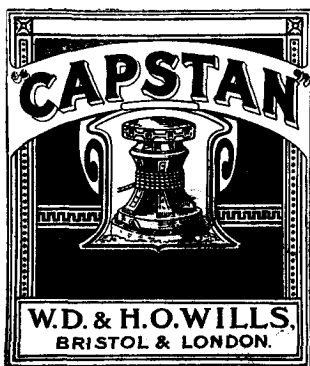
No. of class : 39.

Description of goods : Paper (except paper-hangings).

No. of application : 7952.

Date : 19th April, 1909.

TRADE MARK.



The essential particulars of the trade mark are the following—the distinctive label, the combination of devices, and the word "Capstan"; and the applicants disclaim any right to the exclusive use of the added matter, except in so far as it consists of the name of their predecessors in business "W. D. and H. O. Wills."

NAME.

BRITISH-AMERICAN TOBACCO COMPANY, LIMITED, Registered Office, Cecil Chambers, 86 Strand, London W.C., England, Tobacco-manufacturers.

No. of class : 45.

Description of goods : Manufactured tobacco.

No. of application : 7954.

Date : 19th April, 1909.

TRADE MARK.

The word

"VIOLENE."

NAME.

JOSEPH WILLIAM BATES, of Hastings, in the Dominion of New Zealand, Chemist.

No. of class : 48.

Description of goods : Baby's powder.

No. of application : 7955.

Date : 20th April, 1909.

TRADE MARK.

The word

"FICOLAX."

NAME.

THE BRITISH DRUG HOUSES, LIMITED, of 38 and 40 Southwark Street, London, in the County of Surrey, England, Wholesale Druggists.

No. of class : 3.

Description of goods : A medicinal preparation for human use.

No. of application : 7957.

Date : 21st April, 1909.

TRADE MARK.

MAZARA.

NAME.

DENISON, LIMITED, of Savings' Bank Chambers, Moore Street, Sydney, in the State of New South Wales, Commonwealth of Australia, Manufacturers.

No. of class : 48.

Description of goods : All goods in Class 48.

NOTE.—Class 48 is for "Perfumery" (including toilet articles, preparations for the teeth and hair, and perfumed soap).

No. of application : 7961.

Date : 24th April, 1909.

TRADE MARK.

NUGGET

NAME.

THE NUGGET POLISH COMPANY, LIMITED, of Vauxhall Street, Kennington Oval, London, England, Manufacturers.

No. of class : 37.

Description of goods : Leather, skins wrought and unwrought, and articles made of leather not included in other classes.

No. of application : 7962.

Date : 24th April, 1909.

TRADE MARK.

(The mark as shown in preceding notice, No. 7961.)

NAME.

THE NUGGET POLISH COMPANY, LIMITED, of Vauxhall Street, Kennington Oval, London, England, Manufacturers.

No. of class : 50.

Description of goods : Leather-polish, metal-polish, furniture-polish, blacking, black-lead for polishing, knife-polish, plate-polish, plate-powder, polishing-cloth, emery, emery-cloth, glass-cloth, and all other preparations and materials included in this class for cleaning, polishing, or preserving leather goods, metal goods, glass goods, and furniture, and brushes.

No. of application : 7963.

Date : 26th April, 1909.

TRADE MARK.

The word

"ISHYN."

NAME.

JAMES AGUSTUS BOYD, Painter; GEORGE ROBERTSON, Clerk; AND JOHN HORNE, Warehouseman: all of No. 6 Richmond Street, Petone, in the Dominion of New Zealand.

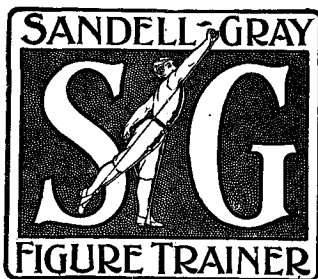
No. of class : 50.

Description of goods : Knife-polish, &c.

No. of application : 7966.

Date : 27th April, 1909.

TRADE MARK.



The essential particulars of this trade mark are the distinctive label and the device; and any right to the exclusive use of the words "Figure Trainer" is disclaimed.

NAME.

THE SANDELL-GRAY FIGURE TRAINER, LIMITED, of 5 Wells Street, Oxford Street, London, England, Manufacturers.

No. of class : 49.

Description of goods : Muscle exercising, developing, athletic and the like goods.

J. C. LEWIS,
Registrar.

Application for Trade Mark withdrawn.

THE following application for Trade Mark has been withdrawn :—

No. 7826.—J. A. Boyd and G. Robertson. (Advertised in Supplement to *New Zealand Gazette* No. 16, of the 25th February, 1909.)

Trade Marks registered.

LIST of Trade Marks registered from the 19th April to the 3rd May, 1909, inclusive :—

No. 5994/7460.—Price's Patent Candle Company, Limited. Class 47. (*Gazette* No. 61, of the 6th August, 1908.)*

No. 6132/7657.—J. M. Geddes. Class 42. (*Gazette* No. 100, of the 10th December, 1908.)

No. 6133/7759.—F. Hartman Sinalco-Aktiengesellschaft. Class 44. (*Gazette* No. 7, of the 28th January, 1909.)

No. 6134/7760.—F. Hartman Sinalco-Aktiengesellschaft. Class 44. (*Gazette* No. 7, of the 28th January, 1909.)

No. 6135/7761.—F. Hartman Sinalco-Aktiengesellschaft. Class 44. (*Gazette* No. 7, of the 28th January, 1909.)

No. 6136/7762.—F. Hartman Sinalco-Aktiengesellschaft. Class 44. (*Gazette* No. 7, of the 28th January, 1909.)

No. 6137/7796.—F. Hartman Sinalco-Aktiengesellschaft. Class 42. (*Gazette* No. 7, of the 28th January, 1909.)

No. 6138/7797.—F. Hartman Sinalco-Aktiengesellschaft. Class 42. (*Gazette* No. 7, of the 28th January, 1909.)

No. 6139/7798.—F. Hartman Sinalco-Aktiengesellschaft. Class 42. (*Gazette* No. 7, of the 28th January, 1909.)

No. 6140/7799.—F. Hartman Sinalco-Aktiengesellschaft. Class 42. (*Gazette* No. 7, of the 28th January, 1909.)

No. 6141/7803.—Maling and Co., Limited. Class 3. (*Gazette* No. 12, of the 11th February, 1909.)

No. 6142/7804.—H. Berry and Co. Class 42. (*Gazette* No. 12, of the 11th February, 1909.)

No. 6143/7814.—E. J. Gee. Class 50. (*Gazette* No. 12, of the 11th February, 1909.)

No. 6144/7815.—E. J. Gee. Class 50. (*Gazette* No. 12, of the 11th February, 1909.)

No. 6145/7437.—Tootal, Broadhurst, Lee Company, Limited. Class 24. (*Gazette* No. 61, of the 6th August, 1908.)

No. 6146/7654.—The Hollins Mill Company. Class 24. (*Gazette* No. 105, of the 23rd December, 1908.)

No. 6147/7541.—The Safety Non-explosive Reservoir Company, Limited. Class 13. (*Gazette* No. 72, of the 17th September, 1908.)

No. 6148/7702.—Lohmann and Co. Class 42. (*Gazette* No. 12, of the 11th February, 1909.)

No. 6149/6894.—The New Hudson Cycle Company, Limited. Class 22. (*Gazette* No. 79, of the 15th October, 1908.)

No. 6150/7436.—Tootal, Broadhurst, Lee Company, Limited. Class 24. (*Gazette* No. 61, of the 6th August, 1908.)

No. 6151/7438.—Tootal, Broadhurst, Lee Company, Limited. Class 24. (*Gazette* No. 61, of the 6th August, 1908.)

* Omitted from *Gazette* of 28th January, 1909.

Trade Mark Renewal Fees paid.

FEES paid for the renewal of the undermentioned Trade Marks for fourteen years from the date first mentioned :—

No. 1423/1115.—27th April, 1909.—E. T. Taylor and A. A. Bowley (trading as E. T. Taylor and Co.), Wellington, New Zealand. Class 1. 27th April, 1909.

No. 1430/1367.—15th May, 1909.—The Birmingham Vinegar Brewery Company, Limited, Birmingham and London, England. Class 42. 28th April, 1909.

No. 1468/1240.—15th July, 1909.—F. Wilkinson, Dunedin, New Zealand. Class 3. 24th April, 1909.

Trade Marks removed from the Register.

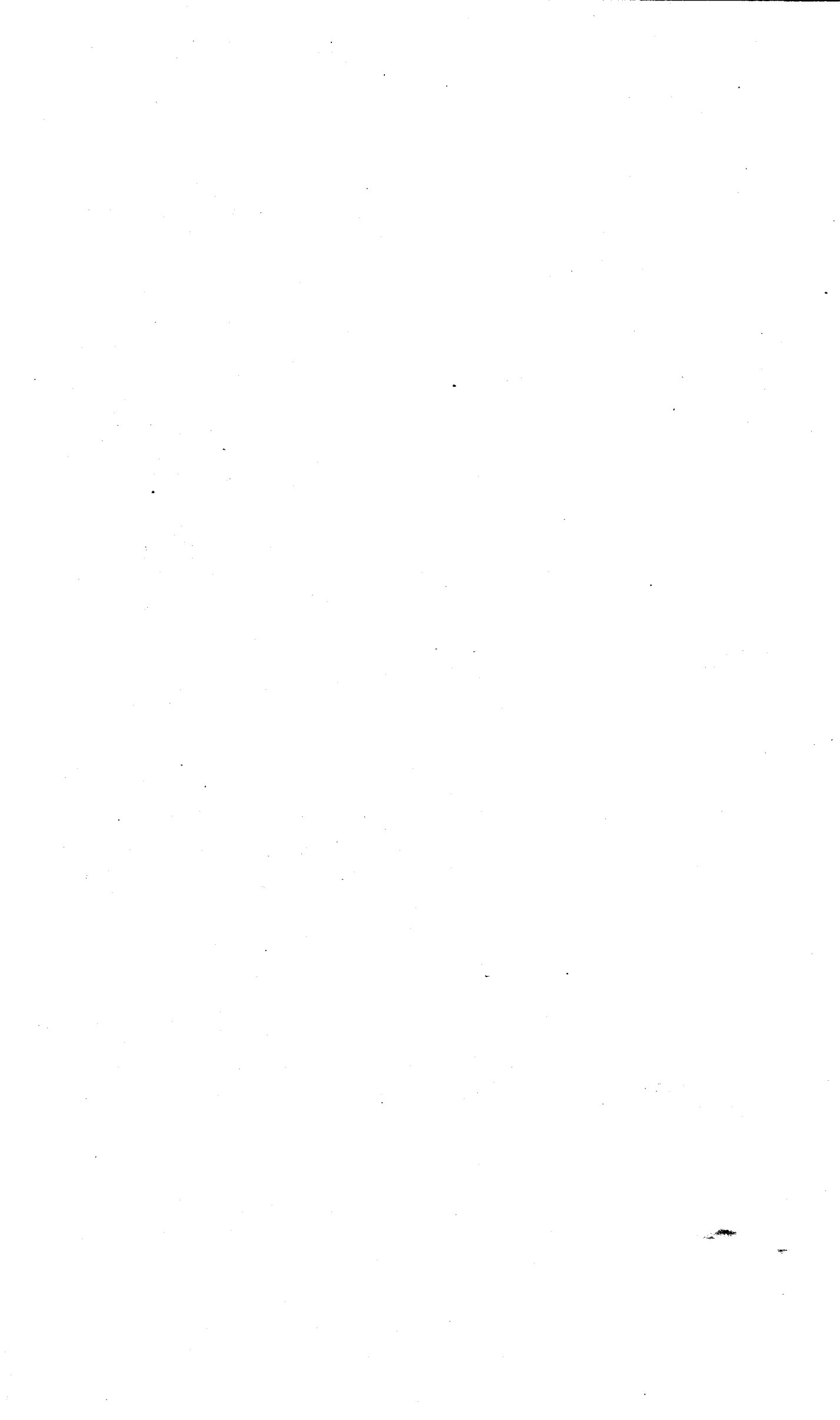
TRADE Marks removed from the Register owing to the non-payment of the renewal fee, from the 19th April to the 3rd May, 1909, inclusive :—

No. 1368/1072.—26th January, 1895.—R. M. Gatenby, Wanganui, New Zealand. Class 2.

Nos. 1369/1071 and 1370/1076.—28th January, 1895.—Moritzson and Hopkin, Dunedin, New Zealand. Class 46.

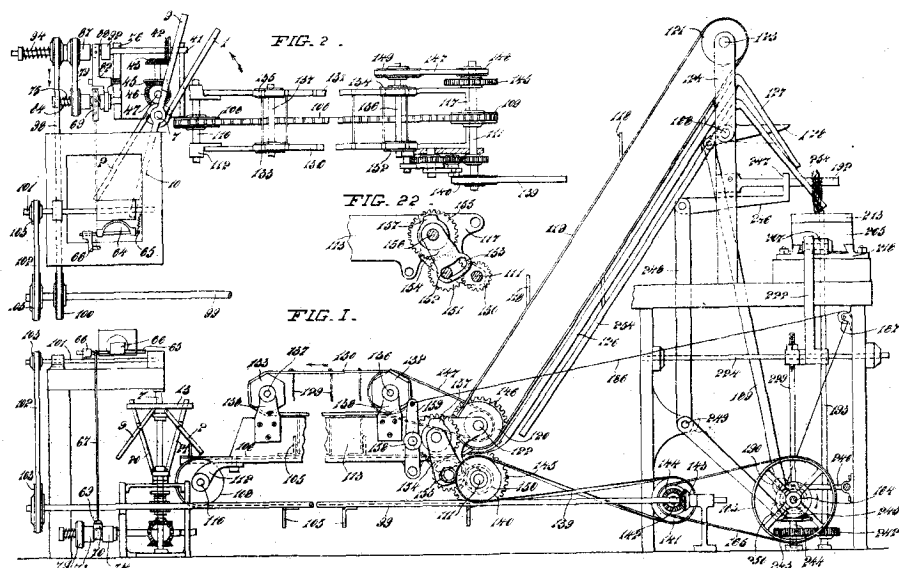
Nos. 1371/1179 and 1372/1180.—30th January, 1895.—D. Benjamin and Co., of Dowling Street, Dunedin, New Zealand. Class 42.

By Authority: JOHN MACKAY, Government Printer, Wellington.

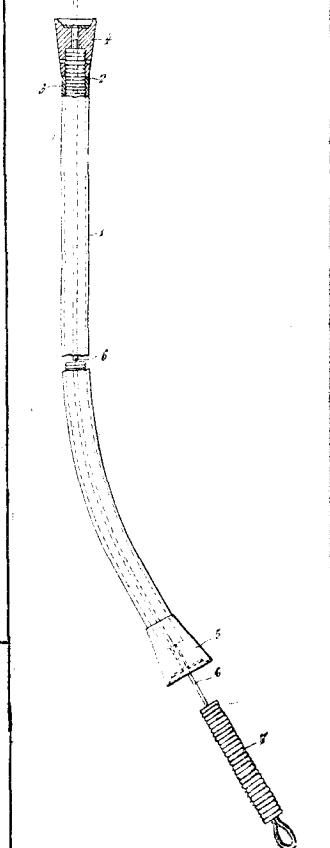


ILLUSTRATIONS OF INVENTIONS.

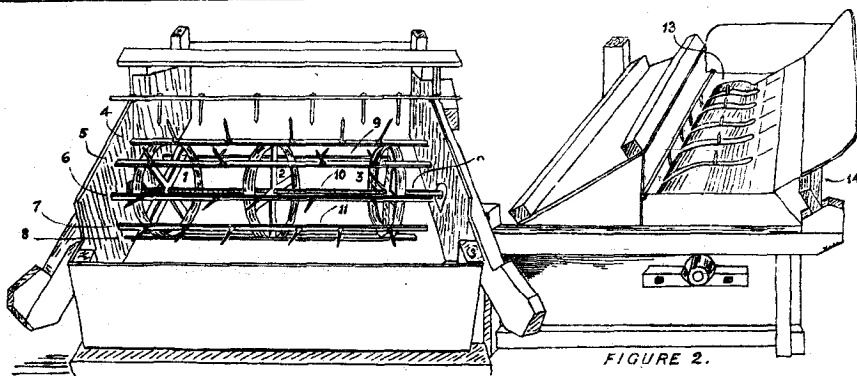
[These illustrations refer to the complete specifications accepted, and advertised in this *Gazette*.]



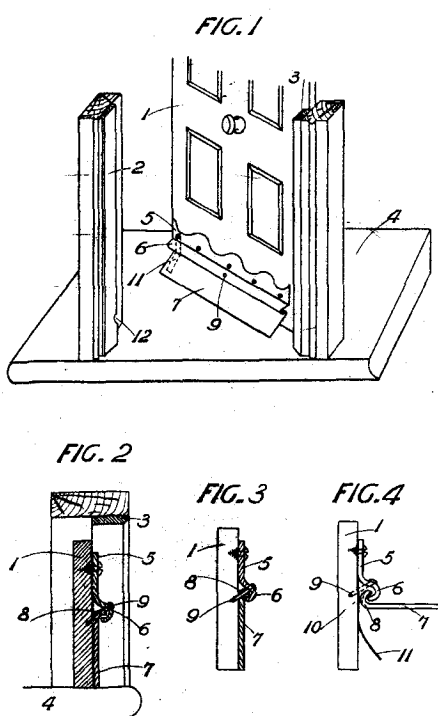
23932
Shiels. Flax-machinery.



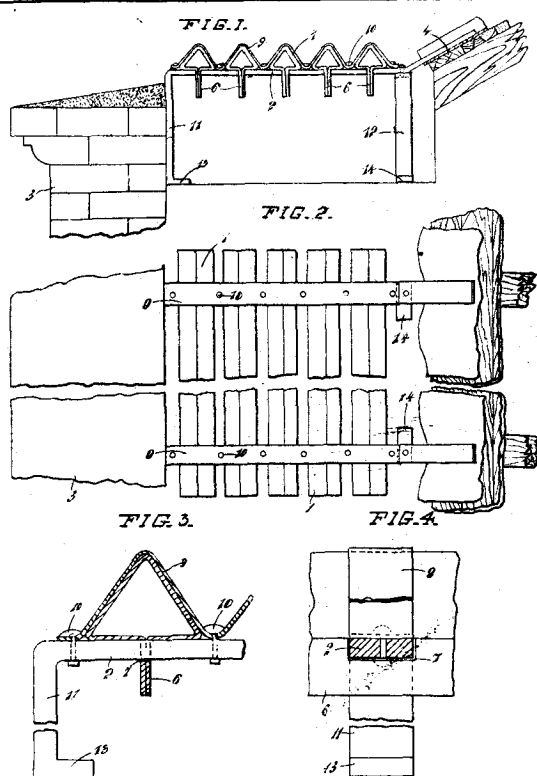
24602
Jellyman.
Removing Turnips from Throats of Cattle.



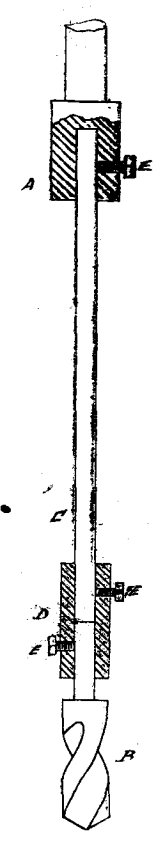
24508
Patchett. Threshing-machine Feed.



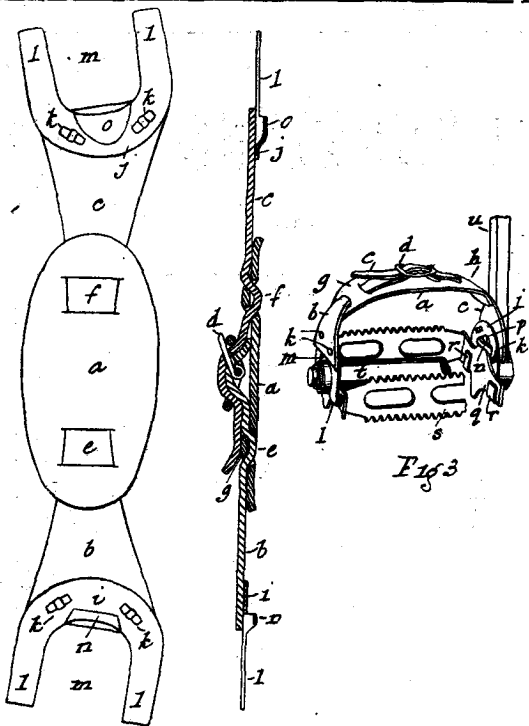
25304
Wood. Draught, &c., Excluder.



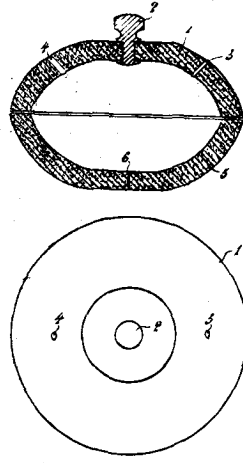
24634
Taylor and Oakley. Snow-board.



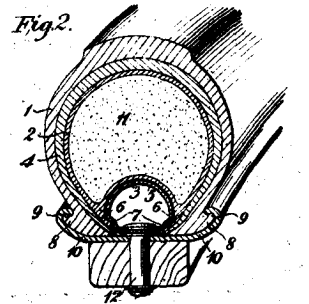
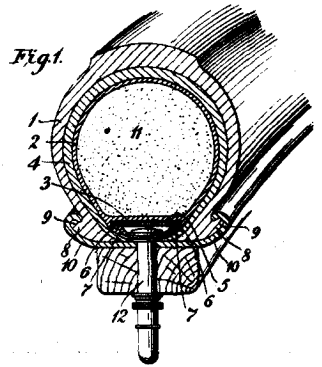
25172
Robinson. Drill-socket.



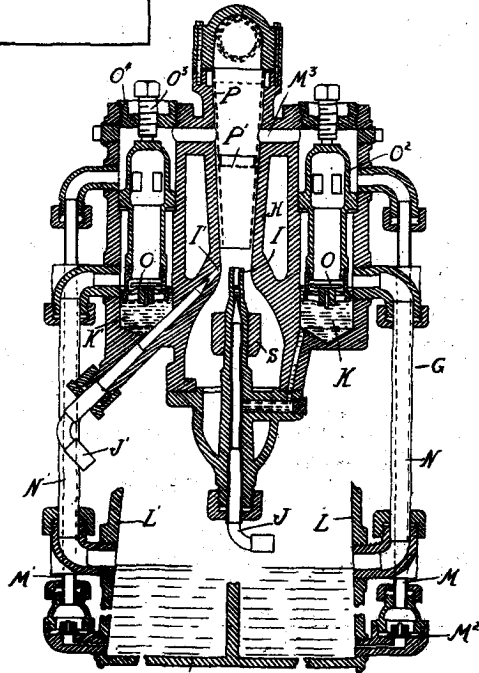
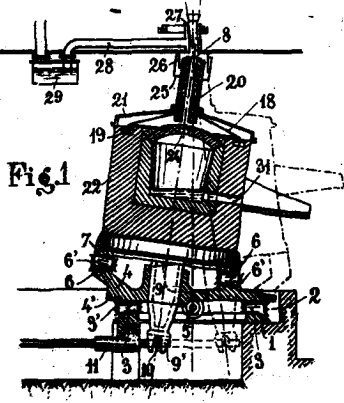
24664
Barnard. Cycle-clip.



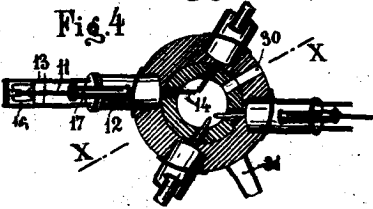
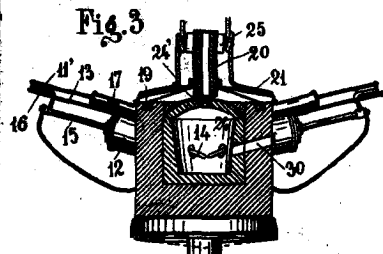
25713
Orr. Butter-cooler.



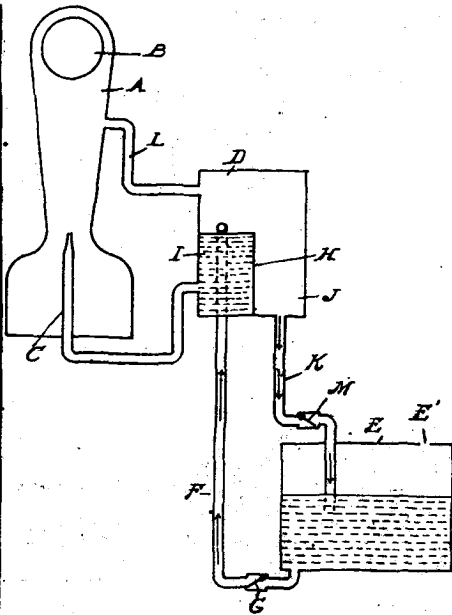
25369
Bennett and Smith. Tire.



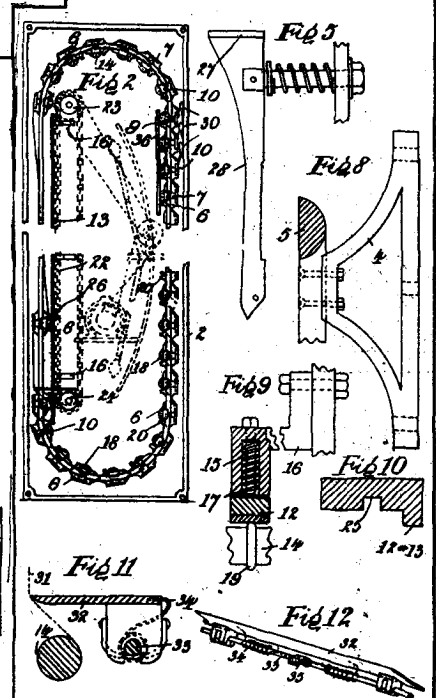
25782
Harrington. Engine.



25698
Forni Elettrici Stassano Societa Anonima.
Electric Furnace. (Stassano.)



25783
Seager. Carburetter.



25780
Ralph. Advertisement-displayer.

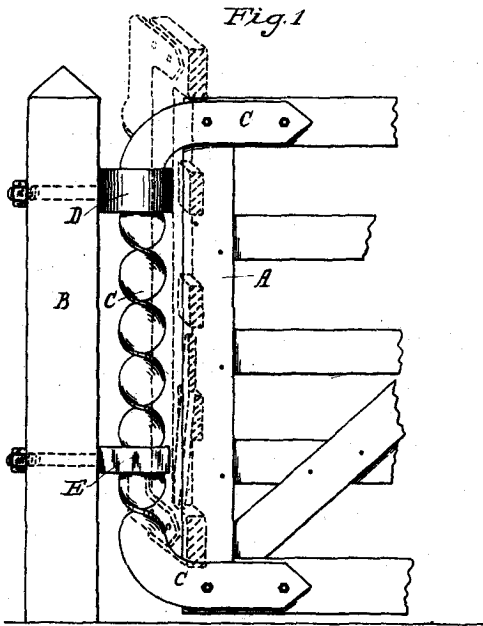
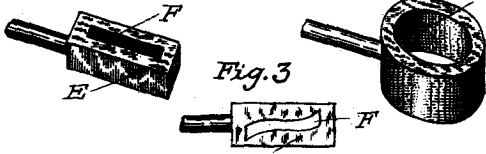


Fig. 2

Fig. 4



25685

Jenkin. Gate-hinge. (Watson and Watson.)

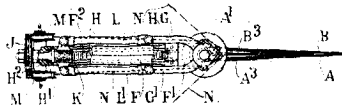
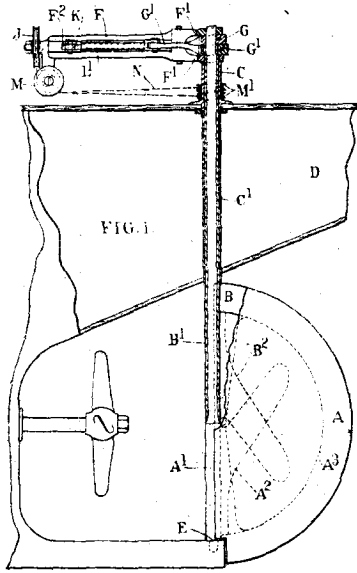


FIG. 2.

25371

Lund. Rudder.

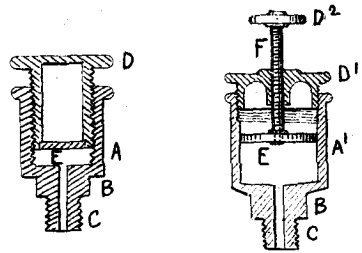


FIG. 1

FIG. 3

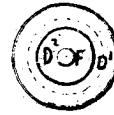
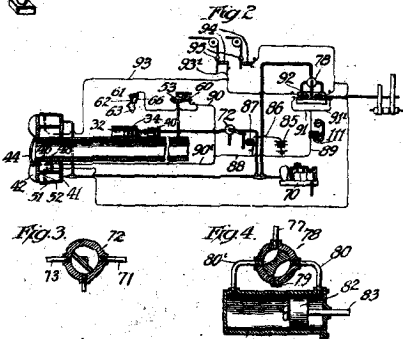
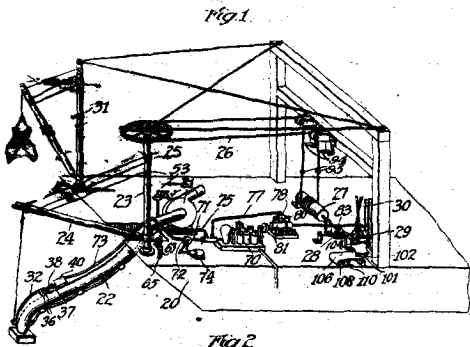


FIG. 2

FIG. 4

23972

Chalmers Lubricator.



25722

Askew. Dredge.

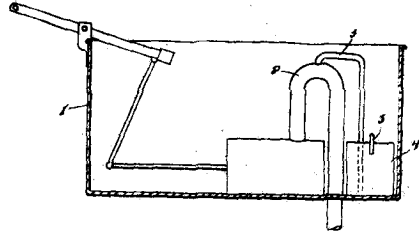
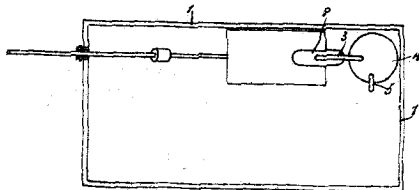


FIG. 2.



25621

Taylor and Oakley. Flush.

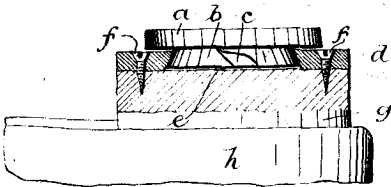
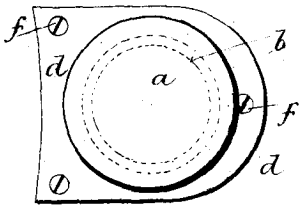
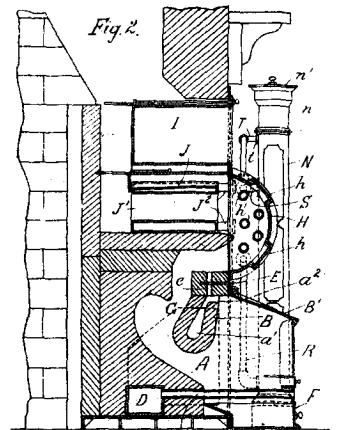
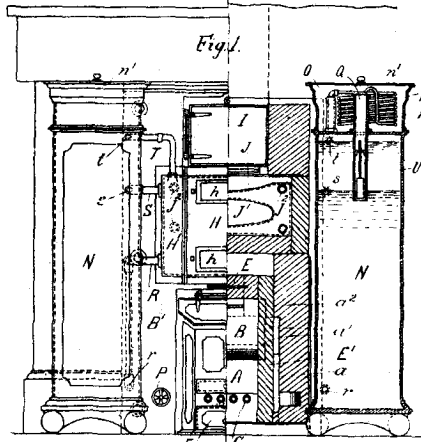


Fig. 1.



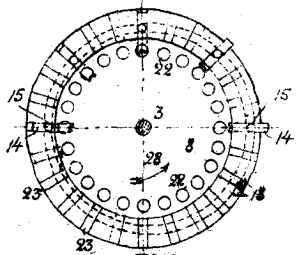
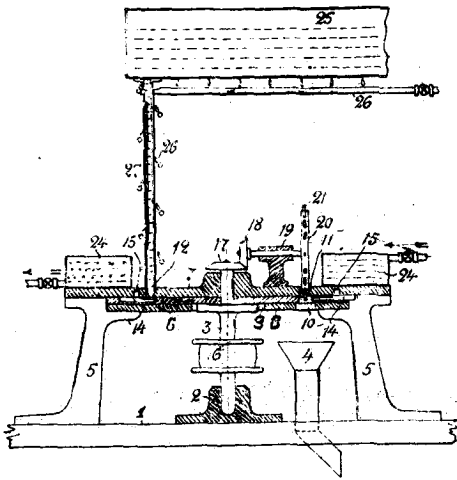
25235

Hancock and Thompson. Boot-heel Plate.



25782

Hislop. Range.



25781

Friedrichsen. Lead Seal.

FIG. 1.

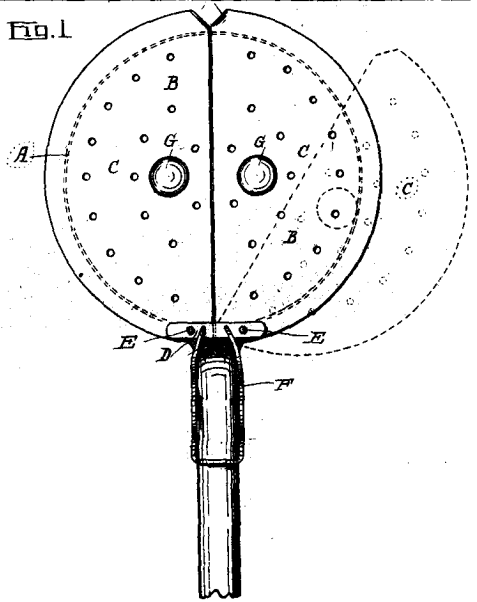
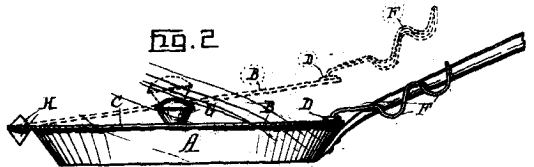


FIG. 2.



25688

Petersen. Frying-pan Cover.

FIG. 1.

Anf	Havana sailed 10 AM
Anj	50 Bales Tobacco, Chicago
Ank	100 Packages Bremen

FIG. 2.

Bob	100 First Class Passengers
Bac	10 Packages Liverpool
Bad	200 Cases Cigars Buenos Aires

FIG. 3.

cab	67 Second Class Passengers
car	10 Packages Antwerp
cad	250 Bundles Hides Hamburg

FIG. 4.

A	ABC Code
E	Western Union Code

FIG. 5.

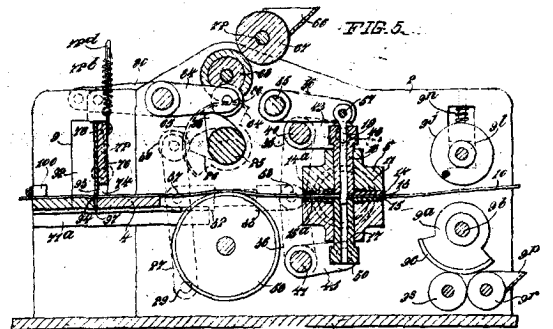
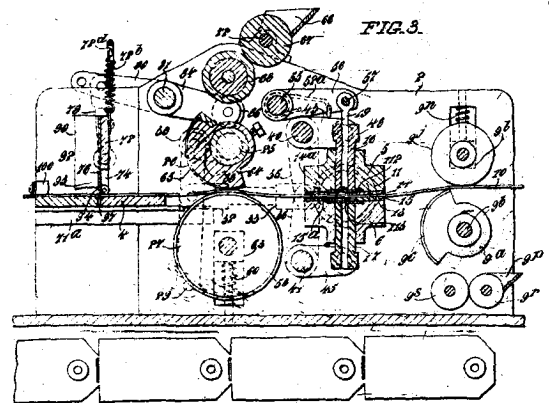
Anfbabcab	Havana sailed 10 AM, 100 First Class Passengers, 67 Second Class Passengers
-----------	---

FIG. 6.

Anfbabcaba	Consider
------------	----------

25705

Sweeney and Treat. Cable Code.



25685

Parker, Hume, Routley, Routley, Manley, and Vickery. Label-machine.